
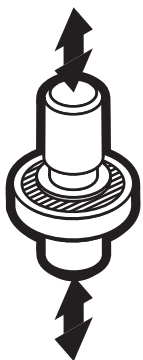




### FEATURES

- Resistance to high extraneous loads
- Minimal mounting clearance
- 17-4 stainless steel construction
- For use in both tension and compression
- Utilizes metal foil strain gauge technology
- Adheres to RoHS directive 2011/65/EU
- Accessories and related instruments available

 Non-loading surface, do not contact



+ Output (tension)  
- Output (compression)

### SPECIFICATIONS

#### PERFORMANCE

Nonlinearity	±0.5% of R.O.
Hysteresis	±0.5% of R.O.
Nonrepeatability	±0.1% of R.O.

#### ELECTRICAL

Rated Output (R.O.)	1 mV/V nom. (250 lb) 2 mV/V nom.
Excitation (VDC or VAC)	15 max
Bridge Resistance	350 ohm nom.
Insulation Resistance	≥500 Mohm @ 50 VDC
Connection	#29 AWG, 4 Conductor, Spiral Shielded Teflon Cable 10 ft [3m] Long

Wiring/Connector Code WC1

#### MECHANICAL

Weight (approx.)	0.6 oz [17 g]
Safe Overload	150% of R.O.
Deflection	0.001 in. [0.025 mm] nom.
Material	17-4 PH S.S.
IP Rating	IP64

#### TEMPERATURE

Operating Temperature	-60 to 285°F (-51 to 140°C)
Compensated Temperature	60 to 250°F (15 to 121°C)
Temperature Shift Zero	±0.01% of R.O./°F (±0.018 of R.O./°C)
Temperature Shift Span	±0.02% of Load/°F (±0.036 of Load/°C)

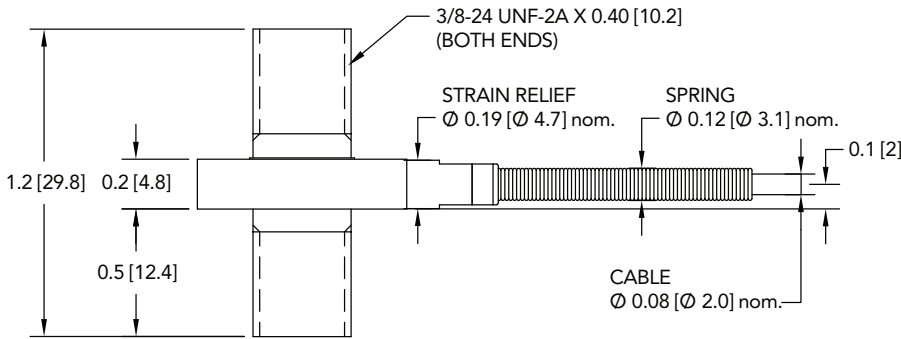
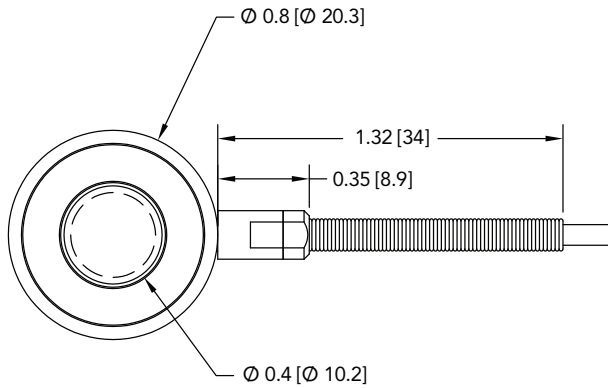
#### CALIBRATION

Calibration Test Excitation	10 VDC
Calibration (std)	5 pt. Tension
Calibration (Available)	5 pt. Compression
Shunt Calibration Value	60.4 kohm, 100 kohm (250 lb)

#### CONFORMITY

RoHS	2011/65/EU
CE	EN55011:2009; EN61326-1:2006

**DIMENSIONS** inches [mm]



**WIRING CODE (WC1)**

RED	+ EXCITATION
BLACK	- EXCITATION
GREEN	+ SIGNAL
WHITE	- SIGNAL
SHIELD	FLOATING

**NATURAL FREQUENCY**

CAPACITY	kHz
250 lb.	26.8
500 lb.	26.8
1000 lb.	32.8

**CAPACITIES**

ITEM #	lb.	N.
FSH03903	250	1112
FSH03904	500	2224
FSH03905	1000	4448



Drawing Number: FI1064-C

FUTEK reserves the right to modify its design and specifications without notice. Please visit <http://www.futek.com/salesterms> for complete terms and conditions.

10 Thomas, Irvine, CA 92618 USA

Tel: (949) 465-0900

Fax: (949) 465-0905

[www.futek.com](http://www.futek.com)



RoHS



U.S. Manufacturer