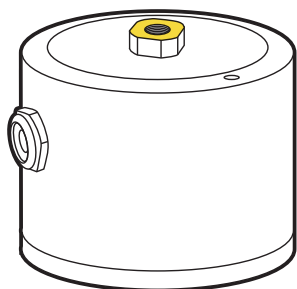
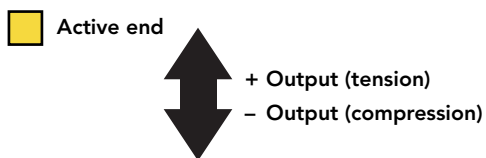


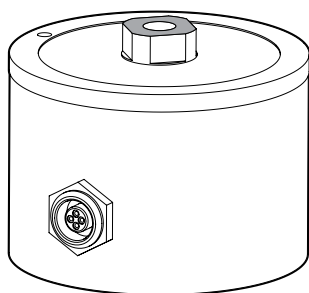


## FEATURES

- For use in both tension and compression
- Monolithic multibeam construction
- Utilizes metal foil strain gauge technology
- Highly resistant to off-axis loading



**Fixed end**



## SPECIFICATIONS

### PERFORMANCE

Nonlinearity	±0.25% of RO*
Hysteresis	±0.25% of RO*
Nonrepeatability	±0.05% of RO

### ELECTRICAL

Rated Output (RO)	1 mV/V nom (25, 50, 250 lb) 2 mV/V nom (100, 500 lb)
Excitation (VDC or VAC)	20 max
Bridge Resistance	700 Ohm nom
Insulation Resistance	≥500 MOhm @ 50 VDC
Connection	LEMO Receptacle (EGG.0B.304.CLL) 6 Pin BENDIX Receptacle (Optional)
Connector Code	CC4

### MECHANICAL

Weight (approximate)	5 oz [142 g] (25-100 lb) 10 oz [284 g] (250-500 lb)
Safe Overload	150% of RO
Material	2024 aluminum (25-100 lb) 17-4 PH stainless-steel (250-500 lb)
IP Rating	IP50

### TEMPERATURE

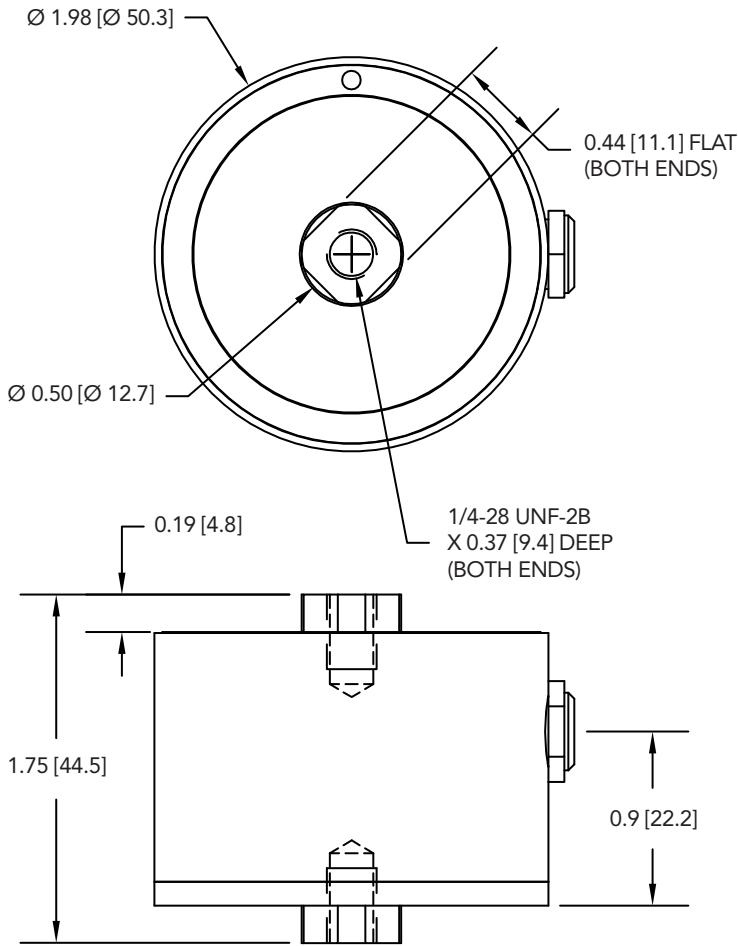
Operating Temperature	-60 to 200°F [-50 to 93°C]
Compensated Temperature	60 to 160°F [15 to 72°C]
Temperature Shift Zero	±0.02% of RO/°F [0.036% of RO/°C] (25, 50, 250 lb) ±0.01% of RO/°F [0.018% of RO/°C] (100, 500 lb)
Temperature Shift Span	±0.01% of Load/°F [0.018% of Load/°C]

### CALIBRATION

Calibration Test Excitation	10 VDC
Calibration (standard)	5-pt tension
Calibration (available)	Compression
Shunt Calibration Value	100 kOhm, 200 kOhm (25, 50, 250 lb)

\*Typically tension results achieve better than 0.15% in nonlinearity and hysteresis.

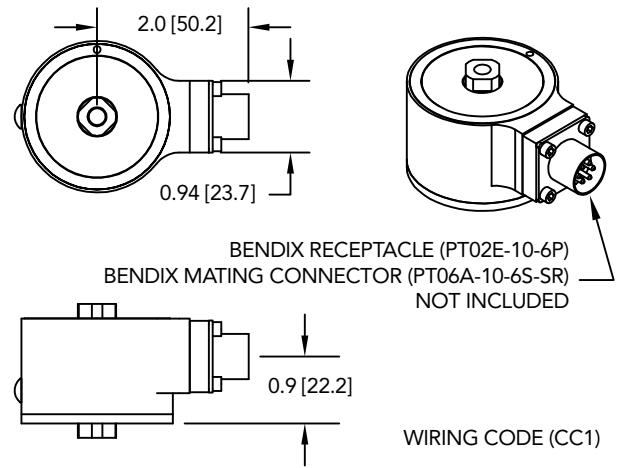
**DIMENSIONS** inches [mm]



**CAPACITIES**

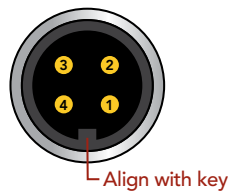
ITEM #	lb	N	Deflection (in)	Natural Frequency (Hz)
FSH00250	25	111	0.0012	1800
FSH00251	50	222	0.0023	2600
FSH00252	100	445	0.0023	2600
FSH03845	250	1112	0.0018	3700
FSH00258	500	2224	0.0018	3700

**BENDIX VERSION (OPTIONAL)**



**LEMO 4-PIN (CC4)**

PIN	COLOR	DESCRIPTION
1	Red	+ Excitation
2	Green	+ Signal
3	White	- Signal
4	Black	- Excitation



**BENDIX 6-PIN (CC1/CC1T)**

PIN	COLOR	DESCRIPTION	TEDS DESCRIPTION
A	Red	+ Excitation	+ Excitation
B	Black	- Excitation	- Excitation
C	Green	+ Signal	+ Signal
D	White	- Signal	- Signal
E	Orange	+ Sense	TEDS Data
F	Blue	- Sense	TEDS GND

Drawing Number: FI1067-H

FUTEK reserves the right to modify its design and specifications without notice. Please visit [www.futek.com/salesterms](http://www.futek.com/salesterms) for complete terms and conditions.

10 Thomas, Irvine, CA 92618 USA

Tel: (949) 465-0900

Fax: (949) 465-0905

[www.futek.com](http://www.futek.com)



U.S. Manufacturer