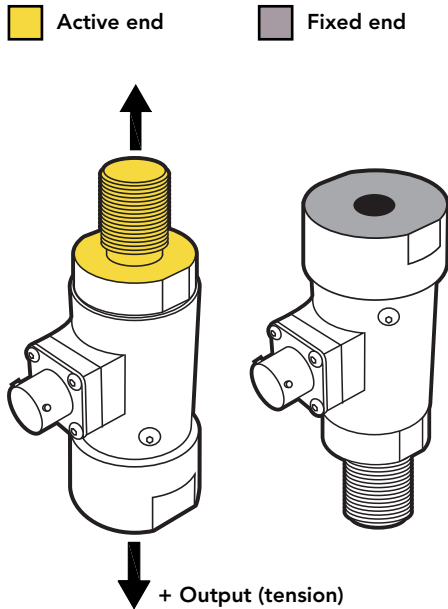




FEATURES

- Light weight
- Low deflection, light weight
- For use in both tension and compression
- Can easily thread in line into a threaded rod or actuator



SPECIFICATIONS

PERFORMANCE

| | |
|------------------|-------------|
| Nonlinearity | ±0.5% of RO |
| Hysteresis | ±0.5% of RO |
| Nonrepeatability | ±0.1% of RO |

ELECTRICAL

| | |
|-------------------------|---------------------------------|
| Rated Output (RO) | 2 mV/V nom |
| Excitation (VDC or VAC) | 18 max |
| Bridge Resistance | 350 Ohm nom |
| Insulation Resistance | ≥500 MOhm @ 50 VDC |
| Connection | 6 Pin BENDIX Receptacle (PT02E) |
| Connector Code | CC1 Standard/CC1T Available |

MECHANICAL

| | |
|---------------|-------------------------|
| Weight | 20 oz [567 g] |
| Safe Overload | 300% of RO |
| Material | 17-4 PH stainless-steel |
| IP Rating | IP64 |

TEMPERATURE

| | |
|-------------------------|-----------------------------------|
| Operating Temperature | -60 to 200°F [-50 to 93°C] |
| Compensated Temperature | 60 to 160°F [15 to 72°C] |
| Temperature Shift Zero | ±0.005% of RO/°F [0.01% of RO/°C] |

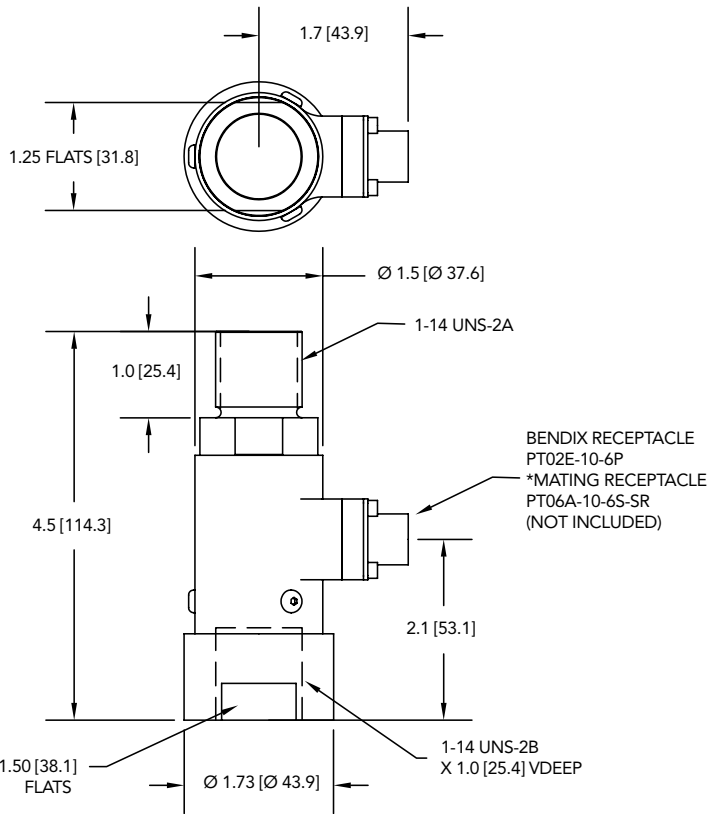
CALIBRATION

| | |
|-----------------------------|--------------|
| Calibration Test Excitation | 10 VDC |
| Calibration (standard) | 5-pt tension |
| Calibration (available) | Compression |
| Shunt Calibration Value | 60.4 kOhm |

CONFORMITY

| | |
|------|----------------|
| RoHS | 2004/108/EC |
| CE | EN61326-1:2006 |

DIMENSIONS inches [mm]

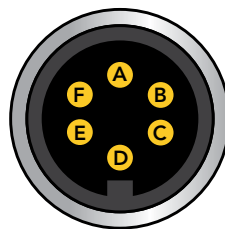


CAPACITIES

| ITEM # | lb | N | Deflection (in) | Natural Frequency (Hz) |
|----------|-------|-------|-----------------|------------------------|
| FSH04002 | 5000 | 22240 | 0.0014 | 7200 |
| FSH04003 | 10000 | 44480 | 0.0020 | 8600 |
| FSH04004 | 20000 | 88960 | 0.0032 | 9600 |

BENDIX 6-PIN (CC1/CC1T)

| PIN | COLOR | DESCRIPTION | TEDS DESCRIPTION |
|-----|--------|--------------|------------------|
| A | Red | + Excitation | + Excitation |
| B | Black | - Excitation | - Excitation |
| C | Green | + Signal | + Signal |
| D | White | - Signal | - Signal |
| E | Orange | + Sense | TEDS Data |
| F | Blue | - Sense | TEDS GND |



Drawing Number: FI1409

FUTEK reserves the right to modify its design and specifications without notice. Please visit www.futek.com/salesterms for complete terms and conditions.

10 Thomas, Irvine, CA 92618 USA

Tel: (949) 465-0900

Fax: (949) 465-0905

www.futek.com



RoHS



U.S. Manufacturer