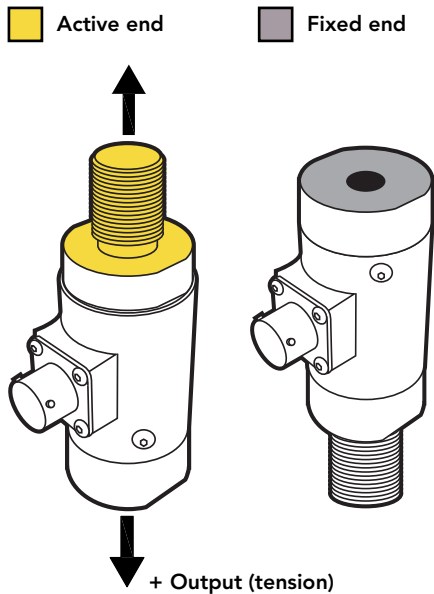




**FEATURES**

- Light weight
- Low deflection, light weight
- For use in both tension and compression
- Can easily thread in line into a threaded rod or actuator



**SPECIFICATIONS**

**PERFORMANCE**

Nonlinearity	±0.5% of RO
Hysteresis	±0.5% of RO
Nonrepeatability	±0.1% of RO

**ELECTRICAL**

Rated Output (RO)	2 mV/V nom
Excitation (VDC or VAC)	18 max
Bridge Resistance	350 Ohm nom
Insulation Resistance	≥500 MOhm @ 50 VDC
Connection	6 Pin BENDIX Receptacle (PT02E)
Connector Code	CC1 Standard/CC1T Available

**MECHANICAL**

Weight	7 oz [195 g] (1000 lb) 17 oz [481 g] (3000, 10000 lb)
Safe Overload	150% of RO
Material	2024-T4 (1000 lb) 17-4 PH stainless-steel (3000, 10000 lb)
IP Rating	IP64

**TEMPERATURE**

Operating Temperature	-60 to 200°F [-50 to 93°C]
Compensated Temperature	60 to 160°F [15 to 72°C]
Temperature Shift Zero	±0.005% of RO/°F [0.01% of RO/°C]
Temperature Shift Span	±0.01% of Load/°F [0.018% of Load/°C]

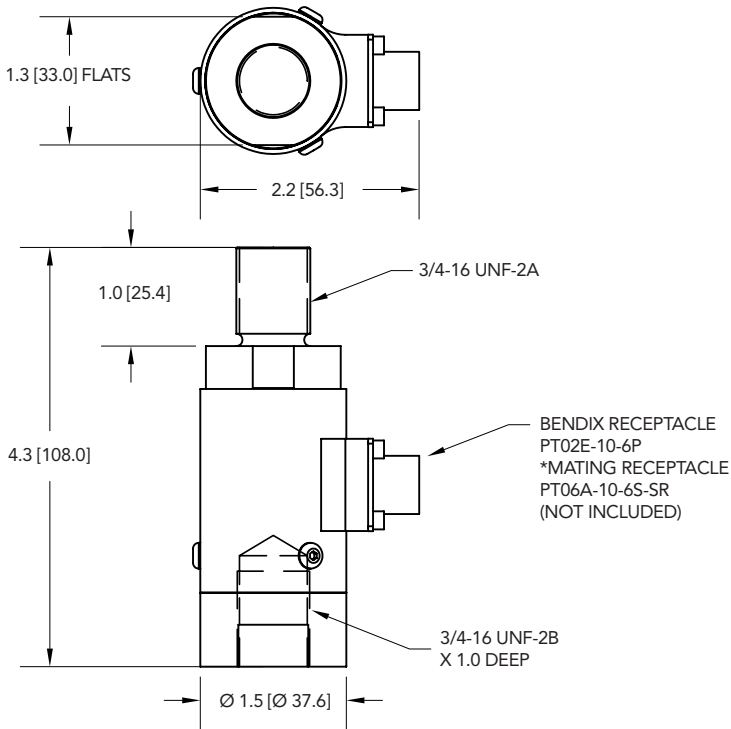
**CALIBRATION**

Calibration Test Excitation	10 VDC
Calibration (standard)	5-pt tension
Calibration (available)	Compression
Shunt Calibration Value	60.4 kOhm

**CONFORMITY**

RoHS	2004/108/EC
CE	EN61326-1:2006

**DIMENSIONS** inches [mm]

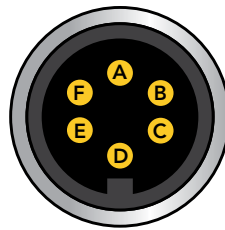


**CAPACITIES**

ITEM #	lb	N	Deflection (in)	Natural Frequency (Hz)
FSH04028	1000	4448	0.0016	6100
FSH04029	3000	13344	0.0011	7400
FSH04030	10000	44480	0.0031	8100

**BENDIX 6-PIN (CC1/CC1T)**

PIN	COLOR	DESCRIPTION	TEDS DESCRIPTION
A	Red	+ Excitation	+ Excitation
B	Black	- Excitation	- Excitation
C	Green	+ Signal	+ Signal
D	White	- Signal	- Signal
E	Orange	+ Sense	TEDS Data
F	Blue	- Sense	TEDS GND



Drawing Number: FI1408

FUTEK reserves the right to modify its design and specifications without notice. Please visit [www.futek.com/salesterms](http://www.futek.com/salesterms) for complete terms and conditions.

10 Thomas, Irvine, CA 92618 USA

Tel: (949) 465-0900

Fax: (949) 465-0905

[www.futek.com](http://www.futek.com)



RoHS



U.S. Manufacturer